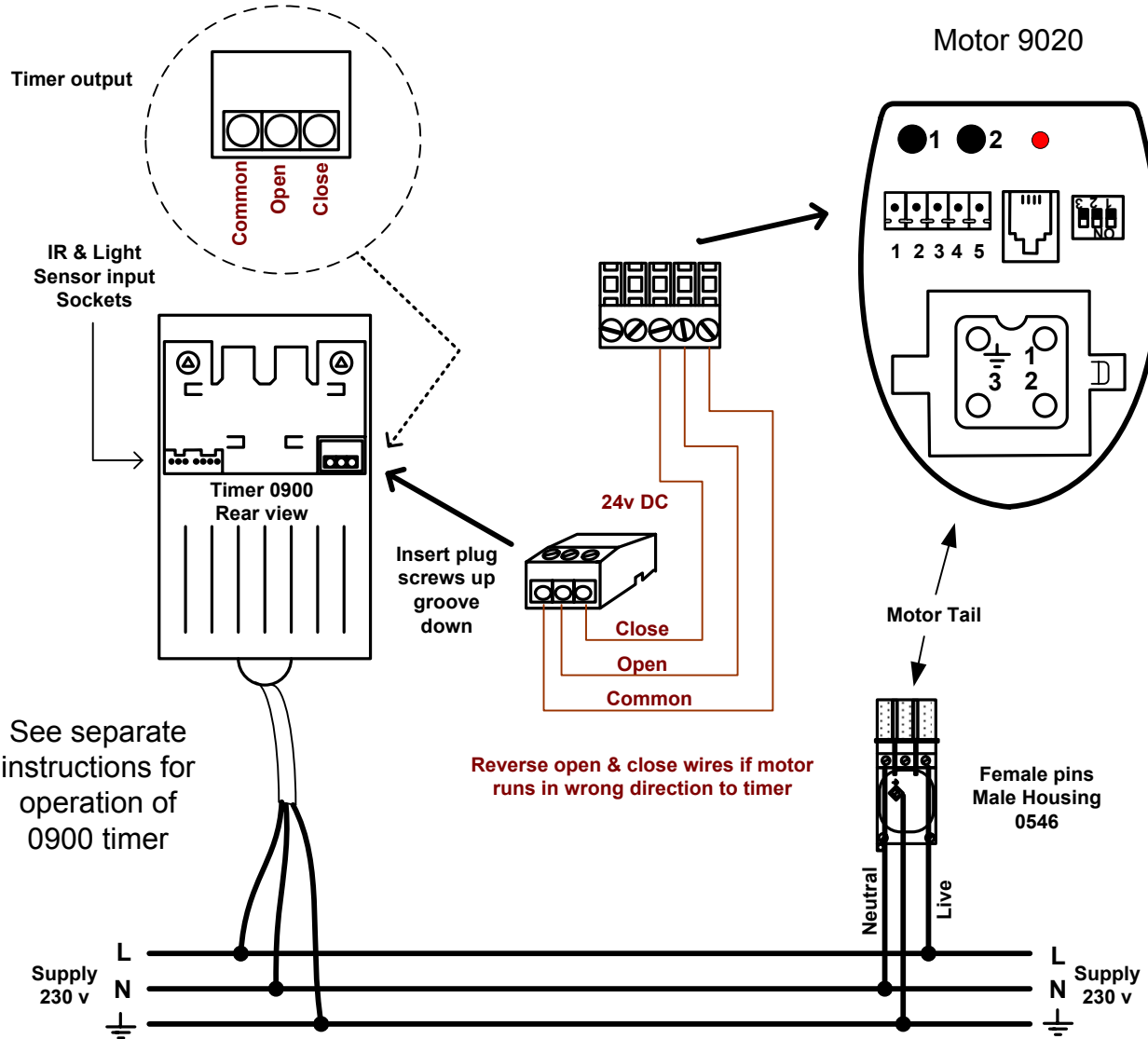
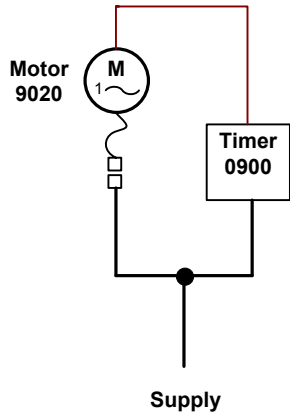




All printed & electronically distributed copies of this drawing are uncontrolled copies

Important

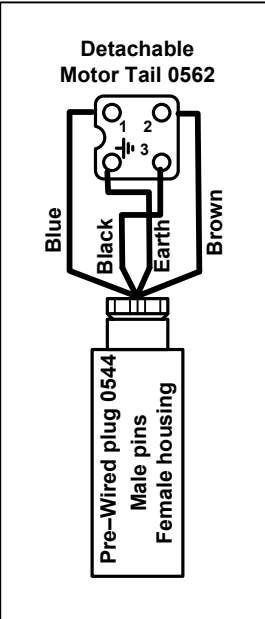
Plug / socket must be wired correctly with exposed pins on 0544 fitted to motor tail



Set 1=ON 2=ON 3=OFF (Set with power off)

See separate instructions for operation of 0900 timer

Motor Rating
 230v 115v
 9020 0.5A 1.0A



Silent Gliss Ltd
 Poorhole Lane.
 Broadstairs
 Kent CT10 2PT
 Tel 01843 863571
 Fax 01843 864503
 E-mail: info@silentgliss.co.uk
 Web site: www.silentgliss.co.uk

Timer control of Systems 5400 & 5420 using 0900 Timer

Motor Type **A B &**
Drawing Number

E 503

Issue Date 15-06-07