

Thank you for purchasing an AQUAVISION® Television.

Safety

AQUAVISION® recommends installation to be carried out by a qualified installer. Please ensure that the latest wiring and safety regulations are adhered. If your AQUAVISION® is powered by a low voltage (12/24v DC) power supply unit, this should be positioned away from any water source. Please observe the safety zones in bathrooms and other wet areas. **IF IN DOUBT REFER TO A QUALIFIED PERSON. THIS APPLIANCE AND THE BEZEL MUST BE EARTHED**

Positioning

Each AQUAVISION® model has specific viewing angles. Position the front bezel in order to view the picture clearly from all intended areas. Should there be any doubt, make the area safe and power up the LCD, positioning the screen until satisfied that the picture does not darken or disappear from view.

Wall Mounting and Cable Feed

When the position has been defined, cut a hole in the wall to the cut-out dimensions specified for your AQUAVISION® model (Fig. 1).

Next, fit the two side mounting brackets into the sides of the hole following the guidance offered in either Fig. 2 or 3 depending on the wall structure.

Fig. 2 uses the brackets as a clamp between the front and back of a partition (stud) wall or in Fig. 3 the bezel brackets must be fixed to a solid wall using six screws (not provided).

Do not over tighten the screws holding the front bezel onto the brackets as this can distort the frame and may hinder installation of the glass on the final fix. When fitted, the unit should be able to withstand a potential pull force of 100Kg.

Run the cables to their positions as shown in Fig. 4, ensuring that there is enough cable slack to connect to the rear of the AQUAVISION® unit. Ensure that the cables are easily available and cannot fall back into the cavity, etc.

Speaker Installation

You will need to cut two holes in the ceiling, each of 170mm in diameter, in your chosen speaker locations but within reach of the supplied length of speaker cable. Care should be taken to avoid cutting through any cables, pipes, ceiling joists, etc.

Feed a length of speaker cable from the Aquavision back box, through one of the cable glands, to each of the speaker locations, making sure that you have enough slack at either end to allow termination. Connect each cable into the terminals in each of the speakers, making sure that you observe any polarity. After connecting each cable in the terminals, give each one a slight pull to make sure that it is held in place correctly. When you are confident that these connections are correct, remove the metal grill trim from the front of the speaker. This will reveal the 3 retaining screws. Put the ceiling speaker into the pre-cut hole and gently tighten the 3 screws. As you start to tighten the screws, the retaining brackets will turn outwards and hold the speaker in place. Continue until the speaker is tight up against the ceiling. Replace the front grill by applying gentle pressure to it.

Final Fix

The wall can now be tiled. You must take care not to bend or damage the inner flange of the bezel as this could potentially hinder any water-proofing qualities and thus void any guarantee. Note it is not advisable to use raised border tiles under the edge of the bezel frame. Once all tiles or similar have been fitted and the wall is in a finished state, loosen the bezel screws and apply a bead of silicon all around the rear of the flange (See Fig. 2 or 3). This prevents moisture from accessing the sides of the front bezel. Tighten the front panel ensuring the silicone fills any areas that could allow ingress of water. The bezel is now in position to accommodate the LCD unit and finally the glass panel. Instructions on fitting these components are supplied separately.

BEZEL SIZES AND CUTOUTS

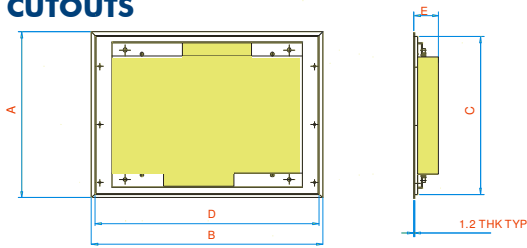


Fig 1

Model	Screen Size	A Overall Height	B Overall Width	C Cut-out Height	D Cut-out Width	E Maximum Depth
AVF 104-4 AVF 104-4B	264mm (10.4")	318mm (12.5")	328mm (12.9")	309mm (12.2")	319mm (12.5")	80mm 3.2"
AVF17-4 AVF17-4B	432mm 17"	385mm 15.2"	470mm 18.5"	376mm 14.8"	461mm 18.1"	90mm 3.6"
AVF 19-4 AVF19-4B	481mm 19"	371mm 14.6"	516mm 20.3"	362mm 14.3"	507mm 20"	90mm 3.6"
AVF 26-4	659mm 26"	492mm 19.4"	722mm 28.4"	483mm 18.9"	713mm 28"	115mm 4.6"
AVF 32-4	799mm 32"	571mm 22.5"	854mm 33.6"	562mm 22.1"	845mm 33.3"	120mm 4.7"
AVF40-4	1015mm 40"	692mm 27.2"	1049mm 41.3"	683mm 26.9"	1040mm 40.9"	120mm 4.7"
AVF46-4	1167mm 46"	725mm 28.5"	1172mm 46"	716mm 28.1"	1163mm 45.7"	120mm 4.7"
AVF 57-4	1446mm 57"	875mm 34.4"	1400mm 55"	866mm 34"	1391mm 54.6"	150mm 6"

INSTALLATION SCHEMATIC

Fig 2

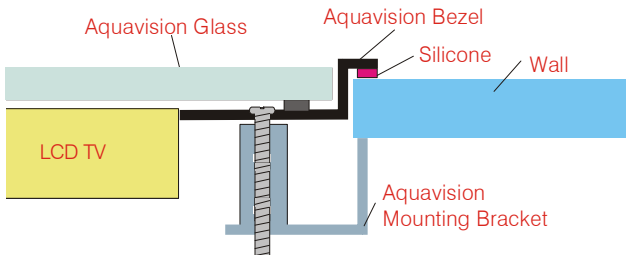
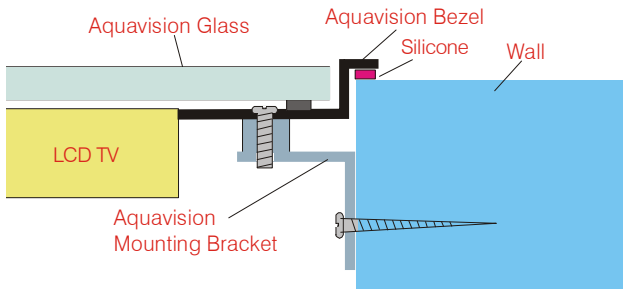
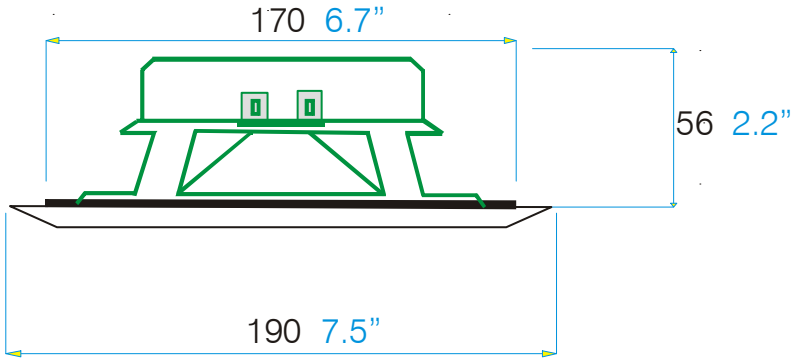


Fig 3

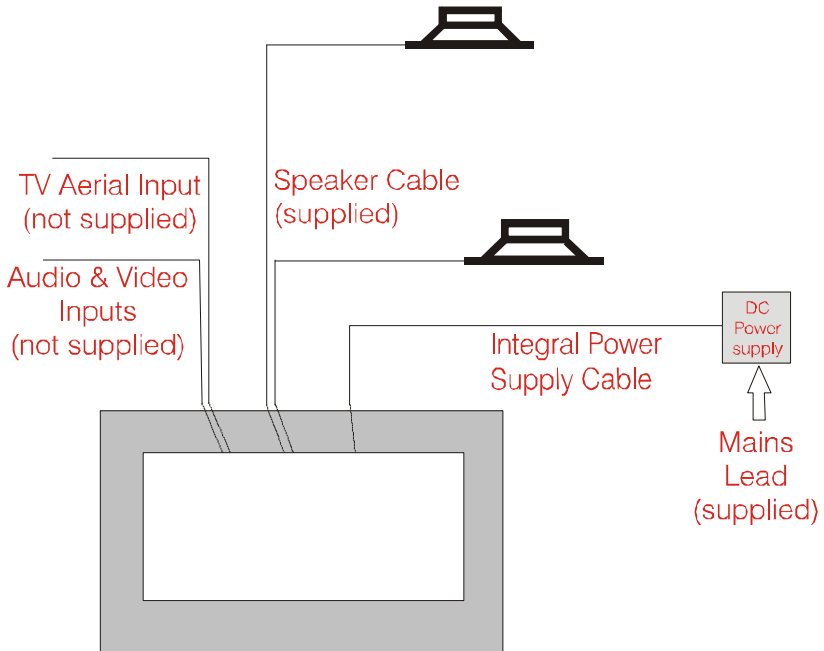


SPEAKER DETAILS



CABLING SCHEMATIC

Fig 4





BEZEL INSTALLATION GUIDE