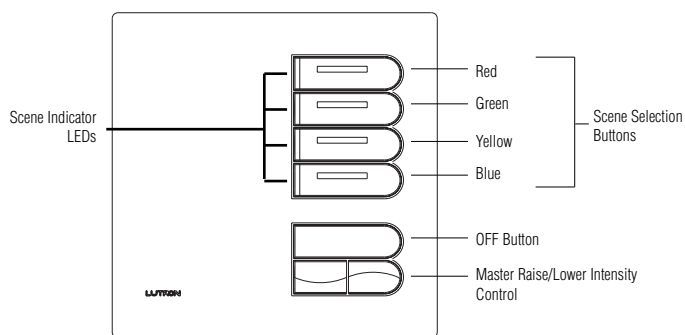


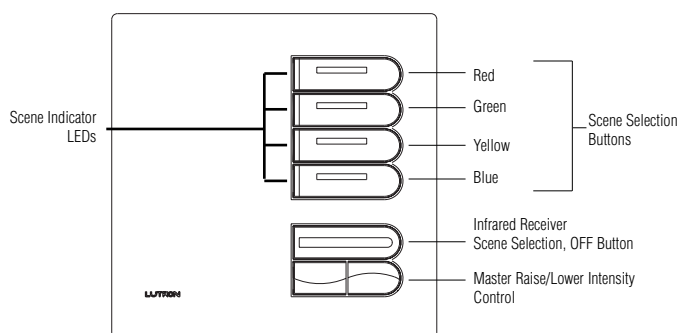
EGBO-4S/EGBO-4S-IR Scene Selection Controls provide remote access to the *GRAFIK Eye* control system to:

- Select any group of four scenes (Scenes 1 to 4, 5 to 8, 9 to 12, or 13 to 16).
- Temporarily adjust the light settings for the current scene.
- Turn all lighting off.

EGBO-4S Scene Selection Control



EGBO-4S-IR Scene Selection Control w/ Infrared Receiver



Wallstation circuits are classified as Class 2 circuits (U.S.A.) and PELV circuits (IEC). Unless otherwise specified, the voltages do not exceed 24 VAC or 15 VDC. As Class 2 circuits, they comply with the requirements of NFPA 70, National Electrical Code (NEC). As PELV circuits, they comply with the requirements of IEC 60364-4-41, VDE 0100 Part 410, BS7671:1992 and other equivalent standards. When installing and wiring to these Wallstations, follow all applicable national and/or local wiring regulations. External circuits connected to input, output, RS232, DMX512, and other communication terminals of Wallstations, must be supplied from a Listed Class 2 source or comply with the requirements for PELV circuits as applicable in your country.

Important Notes

- Lutron recommends that Wallstations be installed by a qualified electrician.
- Install in accordance with all applicable regulations.
- Do not connect high-voltage power to low-voltage terminals. Improper wiring can result in personal injury or damage to the control or to other equipment.
- *GRAFIK Eye* Wallstations must be connected to the *GRAFIK Eye* Control Unit by using Class 2/PELV wiring methods per the National Electrical Code. Check with your local electrical inspector for the local code requirements and wiring practices allowed in your area.
- Use only a cloth with warm water and mild soap to clean faceplates (no chemical cleaners).

Wiring Notes

- System Maximums:
 - 8 Unique *GRAFIK Eye* addresses per system.
 - 16 Wallstations per system.
 - *GRAFIK Eye* 3000 Series Control Units can power a maximum of 3 Wallstations.
 - 2000 ft. (600 m) wiring length
 - 0 °C—40 °C operating temperature
- Wallstation Wiring
 - Four #18 AWG (1.0 mm²) Class 2/PELV wires (two twisted pair).
 - Power: wires 1 & 2, twisted pair, 12 VDC or 24 VAC.
 - Data: wires 3 & 4, twisted pair.

Lutron offers a non-plenum (P/N GRX-CBL-346S-500), and plenum (P/N GRX-PCBL346-500) one-cable, low-voltage solution for *GRAFIK Eye* products.
- Terminal 2 (power) must not be connected between *GRAFIK Eye* Control Units.

Installation



Warning: Always turn Off the circuit breaker or remove the main fuse from the power line before doing any work. Failure to do so can result in serious personal injury.

1. Turn power Off.
2. Mount in a Lutron-supplied wallbox (P/N 241-683) or in German and UK backboxes (60.30 mm measured center to center of mounting holes).
3. Strip insulation from wires so that 3/8 in. (10 mm) of bare wire is exposed for #18 AWG (1.0 mm²) wire.

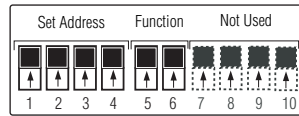


4. Remove the faceplate from the Wallstations. To remove the faceplate, pull outward at each corner, one corner at a time.



5. Address Wallstations.

Each Wallstation in a system **must** be assigned a unique address. Set DIP switches 1—4 of each Wallstation to one of the positions illustrated below and record its location.



6. Select function.

Set DIP switches 5 and 6 on the Wallstation to select its function.

For this address	Set switches like this	Location	For this address	Set switches like this	Location
1		_____	9		_____
2		_____	10		_____
3		_____	11		_____
4		_____	12		_____
5		_____	13		_____
6		_____	14		_____
7		_____	15		_____
8		_____	16		_____

Select Scenes 1—4



Select Scenes 9—12



Select Scenes 5—8

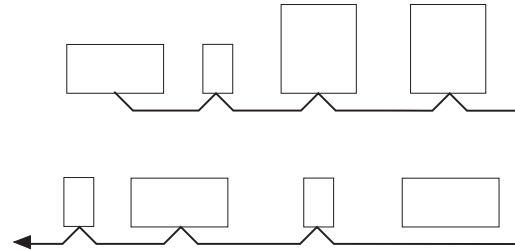


Select Scenes 13—16

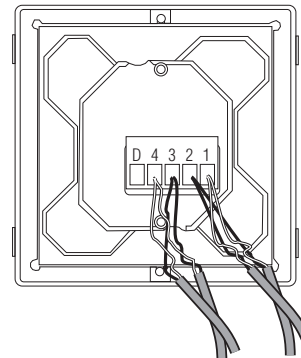


Note: All IR receivers in the same room **must** be configured with the same scene setting. Therefore, all IR Wallstations **must** be set to access scenes 1—4 if installed in the same room with a *GRAFIK Eye Control Unit*. (*GRAFIK Eye Control Unit* scene buttons are **always** scenes 1—4.)

7. Wiring must be done in a daisy-chain and 1-to-1 configuration (please see Installer's Guide included with Control Unit for more information). Each Wallstation terminal will accept up to two #18 AWG (1.0 mm²) wires. Connect four #18 (1.0 mm²) twisted pair wires to the Wallstation's terminal block.



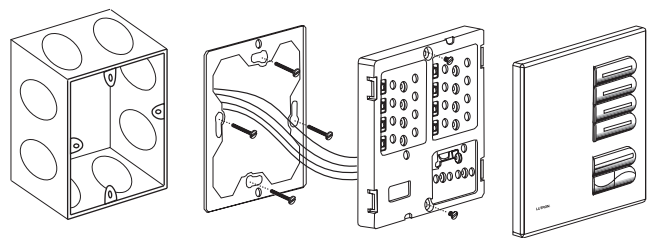
Daisy-Chain Configuration



4 twisted pair,
#18 AWG
(1.0 mm²)

3000 Series System Wiring

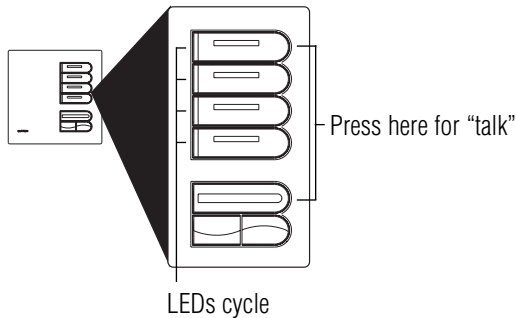
8. Mount Wallstations (fasten screws as shown). Attach faceplate by pressing in at each corner, one corner at a time. Restore power.



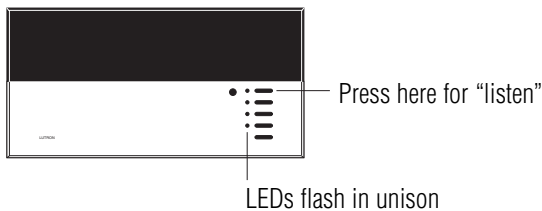
Typical Mounting Diagram

System Communications

1. In order for Wallstations to communicate with a Control Unit, each Wallstation must be individually configured to “talk” by putting the Wallstation in setup mode. Press and hold the buttons indicated for about 3 seconds, until LED(s) start cycling.



2. Identify the Control Unit(s) that you want to “listen” to this Wallstation. (Control Units must be addressed in order for them to “listen”!) Press and hold the Scene 1 button on the Control Unit for about 3 seconds, until the LEDs begin flashing in unison. Repeat for each Control Unit you wish to add to the Wallstation.



Note: To subtract a *GRAFIK Eye* Control Unit from a Wallstation, put the Wallstation in setup mode and press and hold the OFF button on the Control Unit for about 3 seconds, until the LEDs stop flashing.

3. Take the Wallstation out of setup mode. Follow the same procedures as in Instruction 1 until the LEDs **stop** cycling.

Operation

EGBO-4S

Selecting Scenes:

Press any of the scene selection buttons and its corresponding scene will be activated. When the Wallstation is set to select scenes 1—4, the scene buttons on the Wallstation will correspond to the scene buttons on the Control Unit. For example, pressing the red button on the Wallstation will select the same scene as would be selected by pressing the red button on the Control Unit.

Adjusting Light Level:

The Master Raise/Lower button will raise or lower the light level of all lights in the active scene.

Turning Out the Lights:

Press the Off button.

EGBO-4S-IR

The EGBO-4S-IR functions in the same manner as the EGBO-4S, however, scenes can also be recalled by using the Beo4 Remote Control.

Selecting Scenes with the Beo4 Remote Control:

Press the LIGHT button; LIGHT appears in the display . . .

- Press the Red, Green, Yellow or Blue scene button, **or**
- Press the number of the scene you want to recall (i.e., pressing LIGHT and then the number 5 will recall Scene 5).

Adjusting Light Level with the Beo4 Remote Control:

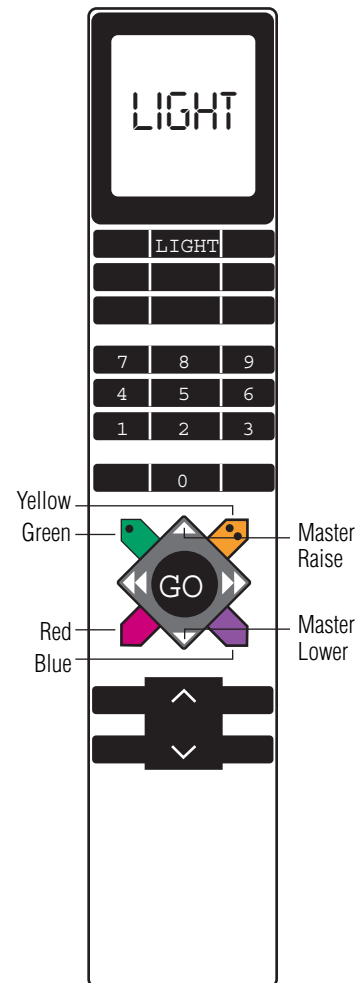
The ▲ and ▼ buttons will raise or lower the light level of all lights in the active scene.

Turning Out the Lights with the Beo4 Remote Control:

Press the LIGHT button and then press the number 0.

Daily/most frequently used lighting scene:

Pressing the LIGHT button and then the GO button will recall Scene 10. To make use of this shortcut feature, Lutron recommends that you set Scene 10 as your general-purpose lighting scene. This feature gives you quick access to your most frequently used lighting scene. Please follow the directions included with your Control Unit to set up Scene 10.



Internet: www.lutron.com
E-mail: product@lutron.com

WORLD HEADQUARTERS

Lutron Electronics Co. Inc.,
TOLL FREE: (800) 523-9466
(U.S.A., Canada, Caribbean)
Tel: (610) 282-3800;
International ++1- 610-282-3800
Fax: (610) 282-1243;
International ++1-610-282-1243

GREAT BRITAIN

Lutron EA Ltd.,
Tel: (171) 702-0657;
International ++44-(0)207-702-0657
Fax: (171) 480-6899;
International ++44-(0)207-480-6899

GERMANY

Lutron Electronics GmbH
Tel: (309) 710-4590;
International ++49-30-97-10-4590
Fax: (309) 710-4591;
International ++49-30-97-10-4591

FRANCE

Lutron LTC
International ++33-(0)1-44-70-71-86
Int'l Fax: ++33-(0)1-44-70-70-97

ASIAN HEADQUARTERS

Lutron Asuka Corporation (Japan)
Tel: (03) 5405-7333;
International ++81-3-5405-7333
Fax: (03) 5405-7496;
International ++81-3-5405-7496

HONG KONG SALES OFFICE

Lutron GL (Hong Kong)
Tel: 2104-7733;
International ++852-2104-7733
Fax: 2104-7633;
International ++852-2104-7633

SINGAPORE

Lutron GL (Singapore)
Tel: ++65-220-4666
Fax: ++65-220-4333

LIMITED WARRANTY

Lutron will, at its option, repair or replace any unit that is defective in materials or manufacture within one year after purchase. For warranty service, return unit to place of purchase or mail to Lutron at 7200 Suter Rd., Coopersburg, PA 18036-1299, postage pre-paid.

This warranty is in lieu of all other express warranties, and the implied warranty of merchantability is limited to one year from purchase. This warranty does not cover the cost of installation, removal or reinstallation, or damage resulting from misuse, abuse, or improper or incorrect repair, or damage from improper wiring or installation. This warranty does not cover incidental or consequential damages. Lutron's liability on any claim for damages arising out of or in connection with the manufacture, sale, installation, delivery, or use of the unit shall never exceed the purchase price of the unit.

This warranty gives you specific legal rights, and you may also have other rights which vary from state to state. Some states do not allow limitations on how long an implied warranty lasts, so the above limitation may not apply to you. Some states do not allow the exclusion or limitation of incidental or consequential damages, so the above limitation or exclusion may not apply to you. These products may be covered under one or more of the following U.S. patents: DES 311,485; DES 311,678; DES. 344,068; DES.370,663; DES. 378,814; DES. 387,736; DES. 412,491 and corresponding foreign patents.

Lutron and Grafik Eye are registered trademarks of Lutron Electronics Co., Inc.
© 2001 Lutron Electronics Co., Inc.

LUTRON®

Lutron Electronics Co., Inc.
Made and printed in U.S.A.
P/N 030-716 Rev. A 7/01