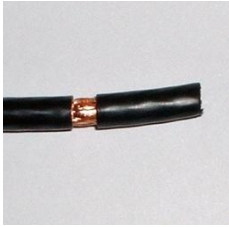
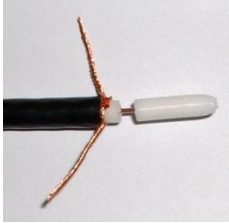


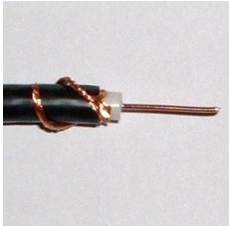
How to fit an F-type connector



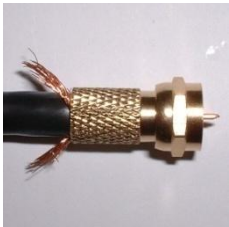
Using a sharp knife carefully remove 20mm of the outer plastic of the cable, ensuring not to cut the shield braiding below. Take half the braiding to each side and twist, creating two tails.



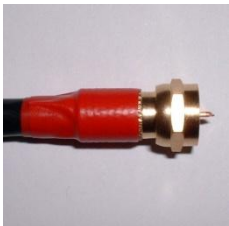
Remove the metal foil to expose the insulator below. With your knife trim the insulator to about 2-3mm from the base of the exposed cable, ensuring not to cut the inner cable.



Ensure that none of the braids from the outer tails are loose. Pull the tails down and twist them round the outer insulator in a 'helter-skelter' formation.

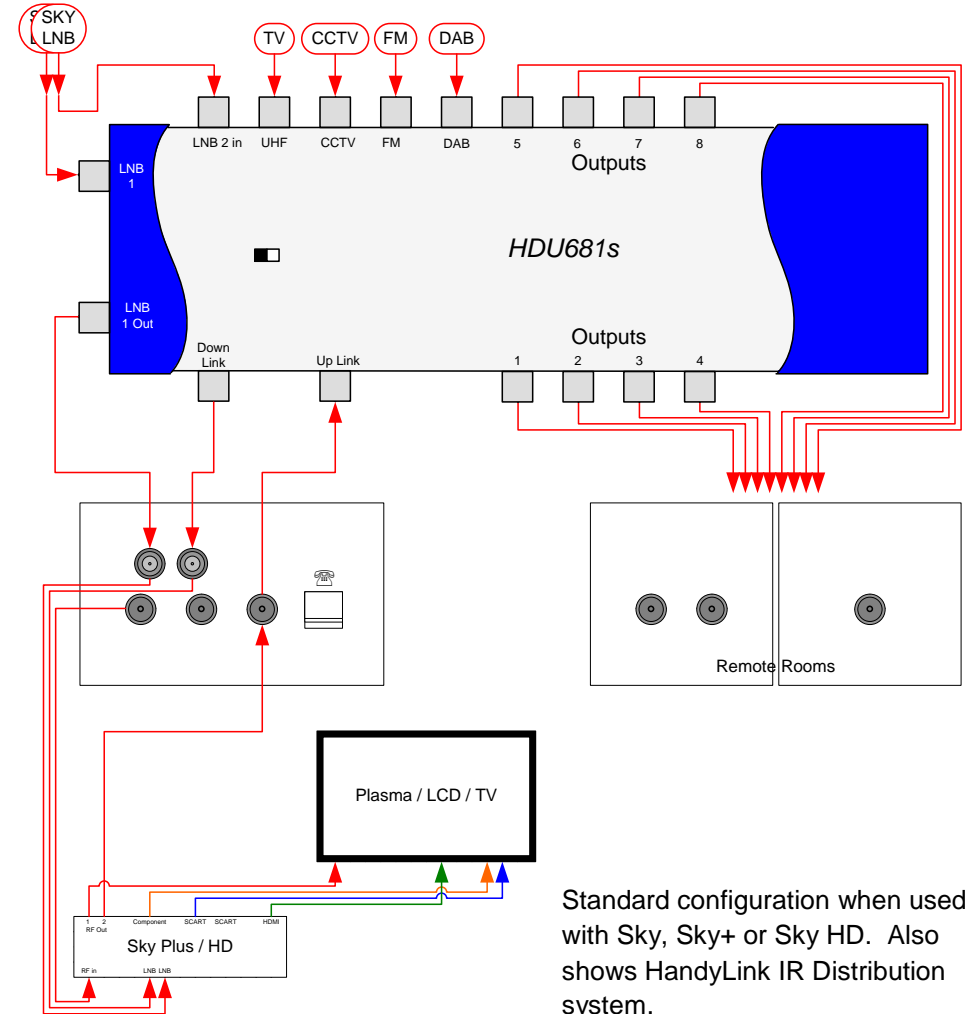


Twist the connector down so it bites onto the braiding and outer insulator. Check that there is no connection between the inner core and braiding and tighten until the inner insulator is in line with the inside hole



Trim any excess braiding with a sharp knife and tightly wrap round the edge with electrical insulation tape. For outdoor use (ie satellite dish/masthead amp) it is recommended that you dip the connector into Vaseline/silicon grease for waterproofing.

Labgear TV Distribution System HDU681s/HDU641s



Standard configuration when used with Sky, Sky+ or Sky HD. Also shows HandyLink IR Distribution system.

