

## CAUTION

These service instructions are for use by qualified personnel only. To reduce the risk of electric shock do not perform any servicing other than that contained in the operating instructions unless you are qualified to do so.

## IMPORTANT SAFETY INSTRUCTIONS

Do not install near any heat source such as radiators, heat registers, stoves or other apparatus (including amplifier) that produce heat. Only use attachments/accessories specified by the manufacturer. Keep these instructions. Follow all instructions.

## LIMITED WARRANTY

The Russound SRM-2.1 is fully guaranteed for Two (2) years from the date of purchase against all defects in materials and workmanship. During this period Russound will replace any defective parts and correct any defect in workmanship without charge for either parts or labor. For this warranty to apply, the unit must be installed and used according to its written instructions. If service is necessary, it must be performed by Russound. The unit must be returned to Russound at the owner's expense and with prior written permission. Accidental damage and shipping damage are not considered defects under the terms of the warranty. Russound assumes no responsibility for defects resulting from abuse or servicing performed by an agency or person not specifically authorized in writing by Russound. Damage to or destruction of components due to improper use voids the warranty. In these cases the repair will be made at the owner's expense. To return for repairs, the unit must be shipped to Russound at the owner's expense, along with a note explaining the nature of the service required. Be sure to pack in a corrugated container with at least 3 inches of resilient material to protect the unit from damage in transit.

**R Russound**  
A/V DISTRIBUTION & CONTROL SYSTEMS  
5 Forbes Rd. Newmarket, NH 03857, USA  
603.659.5170 • Fax 603.659.5388  
e-mail: tech@russound.com

the right  
connection

Come visit us at:

[www.russound.com](http://www.russound.com)



Conforms to  
UL 6500  
Certified to  
CAN/CSA  
E65-94

Russound SRM-2.1  
FC Tested to Comply  
with FCC Standards  
FOR HOME OR OFFICE USE

**R Russound**  
A/V DISTRIBUTION & CONTROL SYSTEMS

# Speaker Relay Module SRM-2.1 Instruction Manual

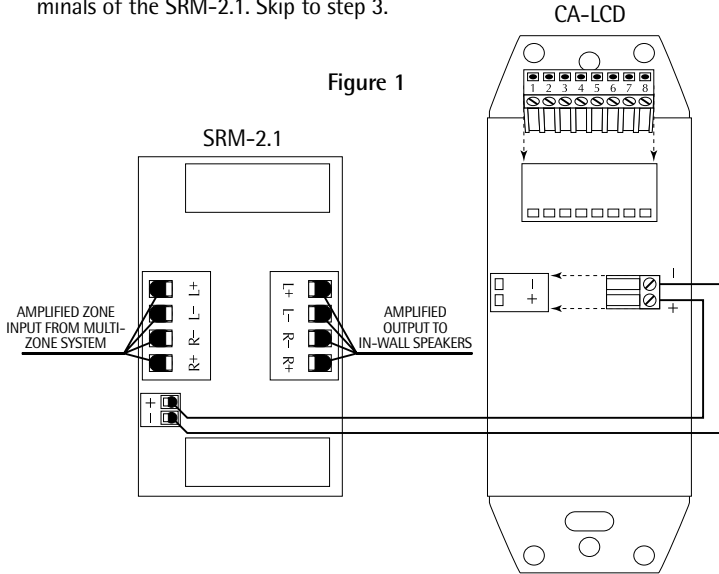


## INTRODUCTION

The SRM-2.1 is an accessory to the CA-LCD Keypad and CP4.6 Audio Distribution System. The SRM-2.1 allows for automatic selection of the local (in-room) audio source or the whole-house audio system. When the CA-LCD Keypad is off (or the CP4.6 zone is off), the local source will play through the system speakers. When the CA-LCD keypad or the CP4.6 zone is turned on, the speakers will automatically be connected to the audio distribution system and bypass the local source.

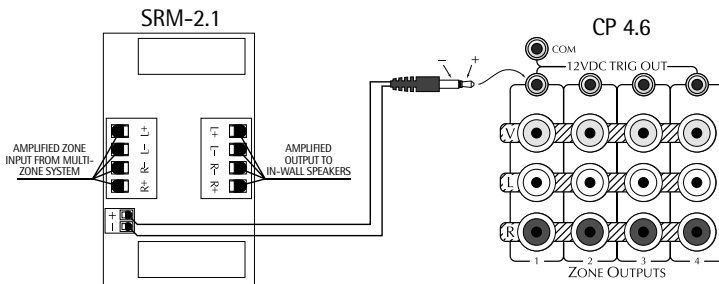
## CONNECTIONS

- 1) **CA-LCD (Figure 1):** Wire the +,- terminal of the CA-LCD to the +,- terminals of the SRM-2.1. Skip to step 3.



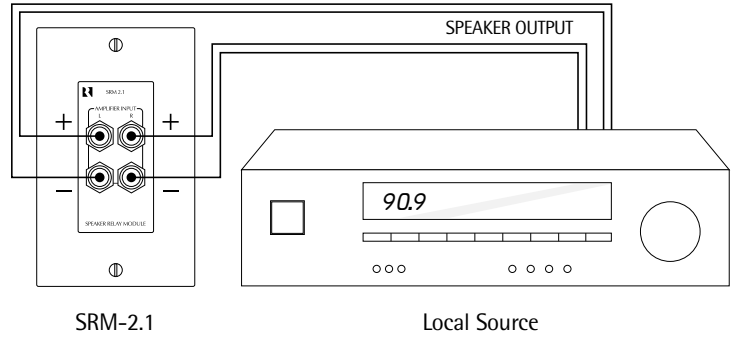
- 2) **CP4.6 (Figure 2):** This connection requires the use of a 1/8" male phono plug. Wire the + terminal of the SRM-2.1 to the tip of the connector. Wire the - terminal of the SRM-2.1 the sleeve of the connector. On the rear of the CP4.6, plug the 1/8" phono connector into the 12VDC Trigger Output of the zone where the local source unit will be.

**Figure 2**



- 3) Connect the positive and negative leads from each speaker output of the local source to the front of the SRM-2.1 wall plate. See Figure 3.

**Figure 3**



- 4) Connect the speakers to the speaker connector on the back of the wall plate. Connect the audio distribution system to the input. This is shown in both figures 1 and 2.



**NOTE:** Use only UL/CSA approved junction box.