

Overview

The VideoEase VGA Balun eliminates costly and bulky VGA cable, allowing a VGA source to be connected to a VGA monitor via 4-pair Cat 5 twisted pair cable. Shielded twisted pair is recommended. Used in pairs, the VGA Balun allows VGA video to be transmitted up to 450ft (137m) via Cat 5 at resolution 640 x 480 pixels.

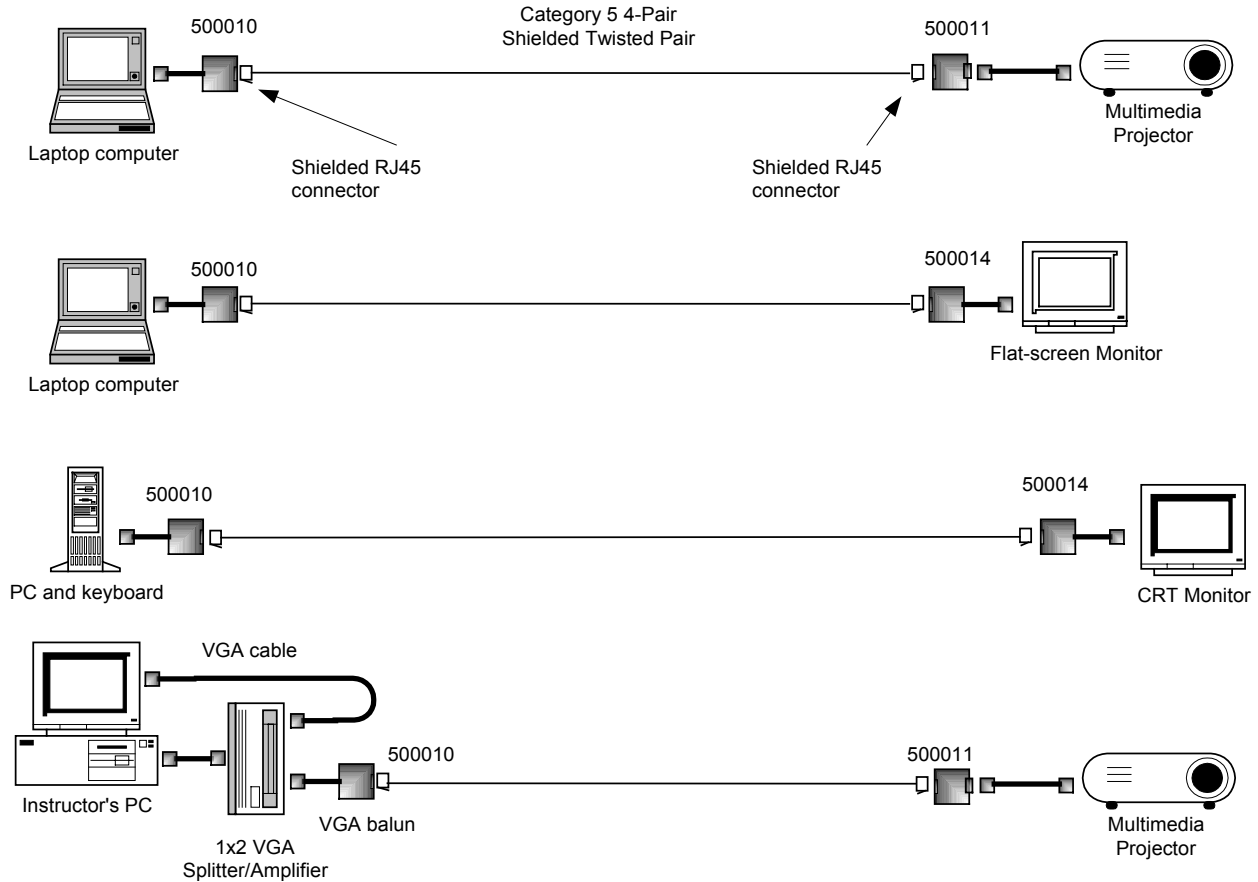
Each VGA connection requires a VGA Balun at the source (500010) and a VGA Balun (500011 or 500014) at the display. For reliable operation, Category 5 or better shielded twisted pair is recommended for use with the product.



The VGA Balun works in conjunction with laptops, PCs, CRT and flat-screen LCD monitors and multimedia projectors. Typical applications include corporate projection systems, classroom video instruction and video information systems.

Specifications	
Environment	VGA. VESA VP&D 1.0, VIP ver 2.0.
Devices	CRT and flat-screen LCD monitors, plasma screens laptops, PCs, multimedia projectors.
Transmission	Transparent to the user.
Bandwidth	DC to 60MHz
Input Signals	Video: 1.1Vp-p Horizontal sync: TTL standard. 300kHz max. bandwidth Vertical sync: TTL standard. 300kHz max. bandwidth
Insertion Loss	Less than 3 dB per pair over the frequency range.
Common Mode Rejection (CMMR)	15kHz -60dB max. 100kHz to 10MHz -40dB max. 100MHz -20dB max.
Video Signal Return Loss	-15dB max from DC to 60MHz
Video Differential Gain	+/- 2%
Video Differential Phase	+/- 2%
Connectors	RJ45 shielded 500010: DB15 HD Plug (Connects to VGA output of PC), 6" lead 500011: DB15 HD Receptacle (Connects to VGA monitor input) 500014: DB15 HD Plug (Connects to VGA monitor input), 6" lead
Max. Distance via Cat 5 Twisted Pair	VGA: 640x480 pixels (15MHz) 450ft (137m) SVGA: 800x600 pixels (30MHz) 350ft (107m) XGA: 1024x768 pixels (60MHz) 250ft (76m) SXGA: 1280x1024 pixels (100MHz) 200ft (61m)
RJ45 Pin Configuration Reverse Polarity Sensitive	R Video (Red) Pin 1 (+) Pin 2 (-) Balanced G Video (Green) Pin 4 (+) Pin 5 (-) Balanced B Video (Blue) Pin 7 (+) Pin 8 (-) Balanced Horiz Sync Pin 3 Vert Sync Pin 6 Horiz & Vert Sync Return: STP cable: Shield. UTP cable: Not connected +5VDC Not connected ID0 Not connected SDA Not connected SCL Not connected
Cable	Cat 5 shielded twisted pair (STP) is recommended. Unshielded twisted pair (UTP) may be used when there is full signal ground continuity between the VGA source and the VGA display.
Impedance	Input: RGB 75 ohms (DB15 HD) Unbalanced Output: RGB 100 ohms (RJ45 shielded) Balanced Horizontal and vertical sync: TTL standard
Temperature	Operating: 0 to 55 C. Storage:-20 to 85 C. Humidity: up to 95% non-cond.
Enclosure	ABS fire retardant plastic
Dimensions	2.40" x 2.25 x 1.00"
Mounting	Free-standing. Separate Velcro mounting pad included
Warranty	Lifetime
Order Information	500010 VGA Balun, PC Side, DB15HD Plug, 6" lead 500011 VGA Balun, Monitor Side, DB15HD Receptacle 500014 VGA Balun, Monitor Side, DB15HD Plug, 6" lead

Typical Application



Note:

In order to ensure reliable signal continuity between the equipment, it is recommended to use shielded twisted pair (STP) cable terminated with shielded RJ45 connectors.