

Overview

The VideoEase Component Video/Digital Audio Balun (500050) allows one component video (YPbPr or RGB) signal and one Digital Audio signal to be transmitted via one Category 5 twisted pair cable for more cost-efficient cabling.

Used in pairs, the Component Video/Digital Audio Balun supports 480i/p, 720p and 1080i/p video formats for hi-definition (HDTV) video applications.

Benefits

- More cost efficient cabling
- Quicker moves, adds and changes
- Neater wiring



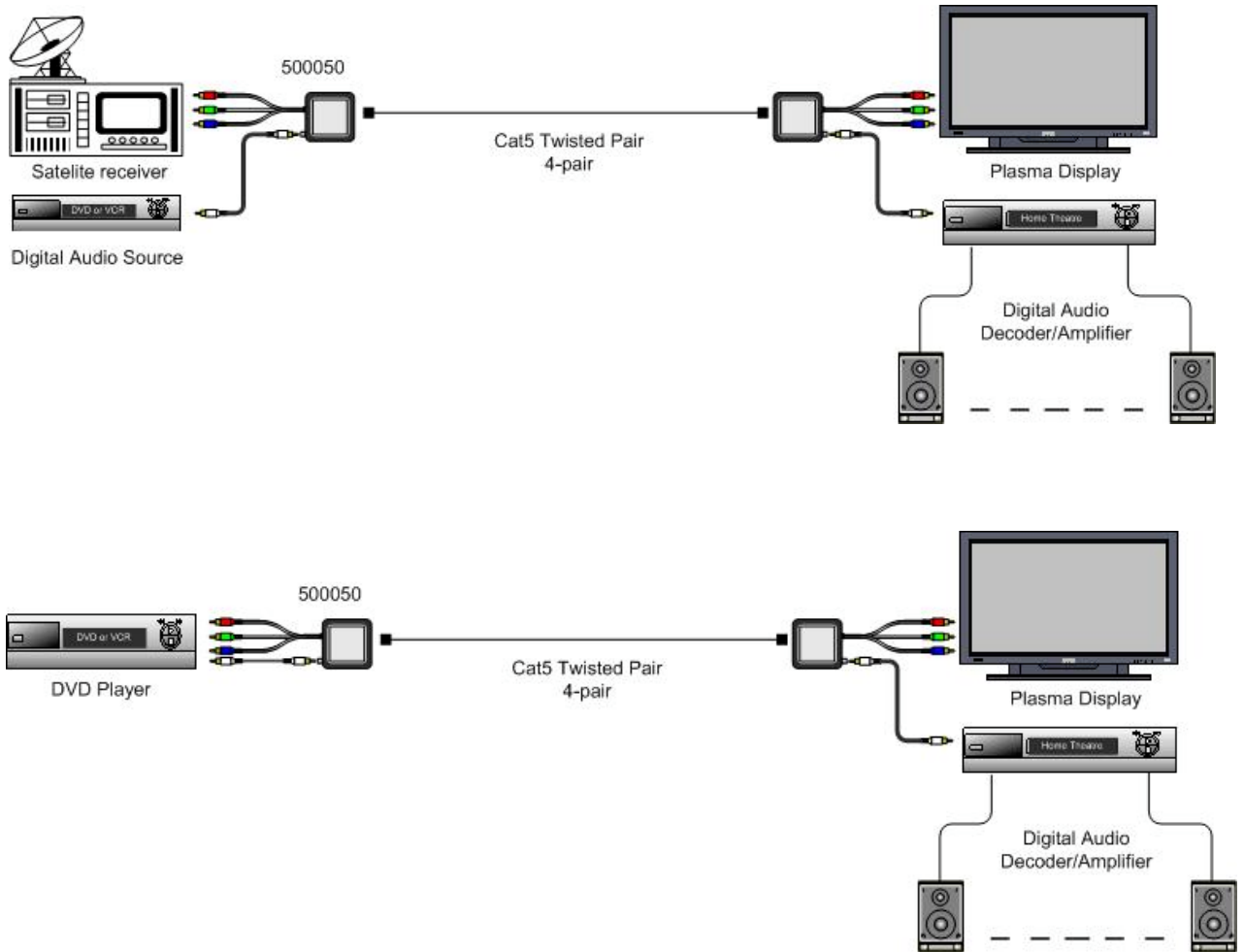
Features

- Supports 480i/p, 720p, 1080i/p
- Supports 480i/p up to 1,000 ft (305m) via Cat5
- Supports 720/1080 up to 500 ft (152m) via Cat 5
- Moulded colour-coded RCA cable leads
- Support digital audio on fourth twisted pair
- Modular shielded RJ45 connector

Specifications	
Environment	Component Video (YPbPr), RGB Video (sync on green). 480i/p, 720p, 1080i/p.
Devices	DVD players, satellite receivers, plasma displays, projectors, monitors, up-converters, amplifiers, switchers, home theatre and other equipment supporting HDTV component video and/or digital audio (Dolby Digital™, dts™).
Transmission	Transparent to the user.
Bandwidth	Video: 60 MHz, 3 dB roll off Digital audio: 25 MHz, 1dB roll off
Maximum Input	1.1Vp-p
Insertion Loss (video)	.1 dB for 0.1 MHz. Gradually increasing to 2.5 dB over the frequency range
Insertion Loss (audio)	Less than 1 dB over the frequency range
Return Loss (video)	Greater than 15 dB over the frequency range
Return Loss (audio)	Greater than 15 dB over the frequency range
Common Mode Rejection (video)	-55 dB @ 0.1MHz. Gradually increasing to -20 dB @60 MHz
Common Mode Rejection (audio)	-50 dB @ 0.1MHz. Gradually increasing to -30 dB @25 MHz
Max. Distance Colour – Cat 5 UTP & STP	480i/p: 1,000 ft (305m). 720p and 1080i: 500 ft (152m). Digital Audio: 600 ft (182m). Compatible with 500020.
Cable – Cat5 UTP/STP	24 gauge or lower solid copper twisted pair wire impedance: 100 ohms at 1 MHz Maximum capacitance: 20 pf/foot. Attenuation: 6.6 dB/1000 ft at 1 MHz
Cable – Coax	Impedance: 75 ohms at 1 MHz
Connectors	Three (3) RCA-M connectors: Green (Y), Blue (Pb) , Red (Pr) One (1) RCA-F connector for digital audio RJ45S for twisted pair
Pin Configuration <i>Reverse polarity sensitive</i>	Red (Pr): Pins 7 [R] & 8 [T] Green (Y): Pins 3 [R] & 6 [T] Blue (Pb): Pins 1 [R] & 2 [T] Digital Audio: Pins 4 [R] & 5 [T]
Temperature	Operating: 0° to 55°C. Storage:-20° to 85°C. Humidity: up to 95%
Enclosure	ABS fire retardant plastic
Dimensions	2.40" x 2.25" x 1.0" (6.1 x 5.7 x 2.54 cm) plus 6" (15.24cm) cable lead for video.
Weight	2.9 oz (81gms)
Regulatory	FCC, CE.
Warranty	Lifetime
Order Information	500050 VideoEase Component Video/Digital Audio Balun

VideoEase Component Video/Digital Audio Balun

Typical Application



Head Office

5450 Cote-de-Liesse, Montreal, Quebec, H4P 1A5

Tel: 514-905-0588 Fax: 514-905-0589

Toll-free: 877-689-5228

E-mail: videoease@muxlab.com

URL: www.muxlab.com